

UWE Profile

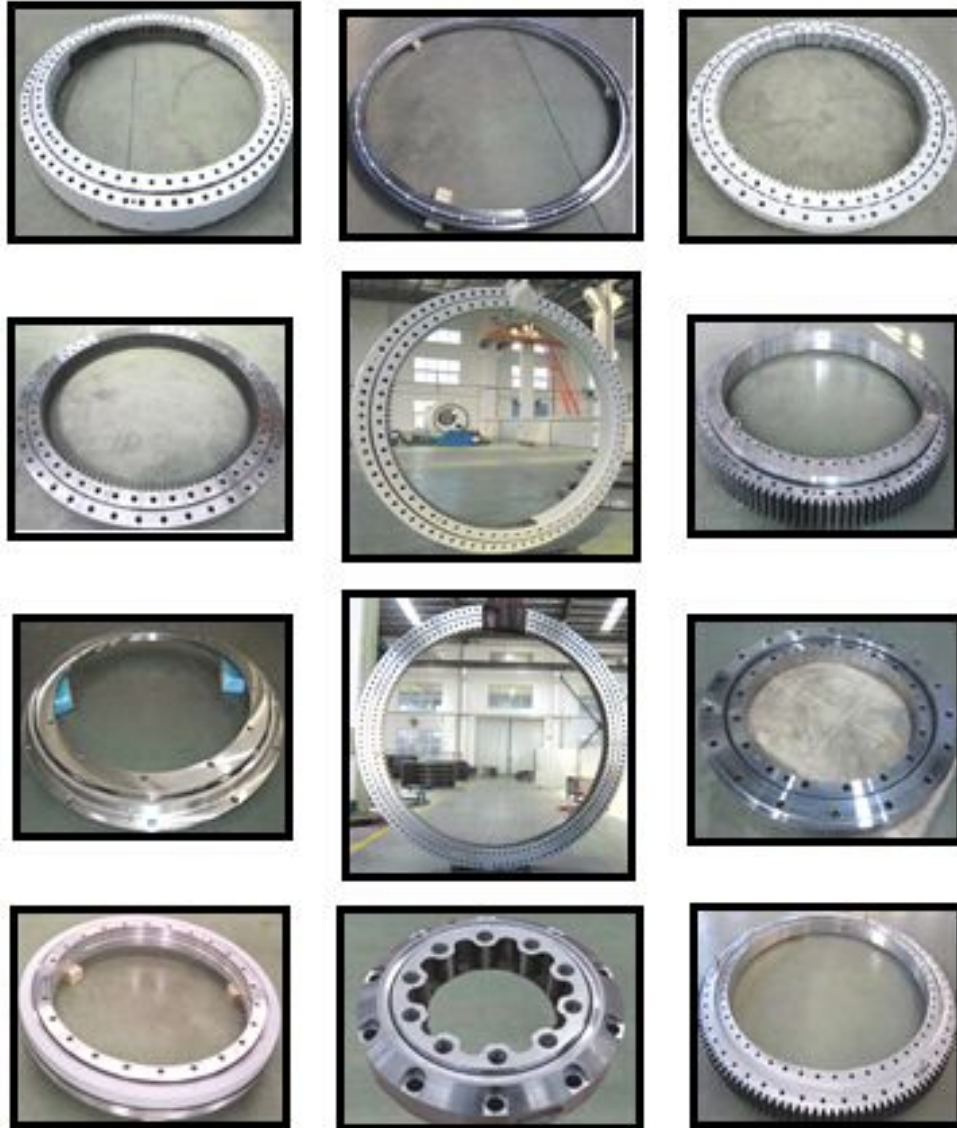
Dalian United Wind Power Generation Bearing Co., Ltd.(UWE bearing),registered trade mark 'UWE', is located in Xijiao industry park of Wafangdian,covers an area of 50,000 square meters. With a registered capital of 20 million Yuan (RMB).over 100 employees.

UWE bearing is a professional scientific research, design and manufacturing enterprise with a strong research,design and management group,adopting advanced foreign wind power bearing production technology combined with independent research and development. UWE bearing passed the ISO9001-2008 quality system certification and ISO14001-2004 environment system certification, and received 13 national patents, has become one of the green clean energy enterprises which priority supported by the national and local government.



Management department, marketing department, technology department, manufacturing department, quality department, financial department and a production base support UWE,with a set of equipment of CNC turning, grinding processing equipment, CNC heat treatment equipment and an independent physical and chemical metrology laboratory. Computerized management system covering all business operations, highly competitive to modern technological and commercial challenges in UWE.

Product Images



Wind turbine slewing rings

1. Blade bearing/pitch bearing
2. Yaw bearing
3. Main shaft bearing

General slewing bearings

1. Single row four point contact ball slewing bearing
2. Single row cross roller slewing bearing
3. Double row different ball diameter slewing bearing
4. Double row four point contact ball slewing bearing
5. Three row roller slewing bearing
6. Ball and roller combined slewing bearing

Wire race bearings

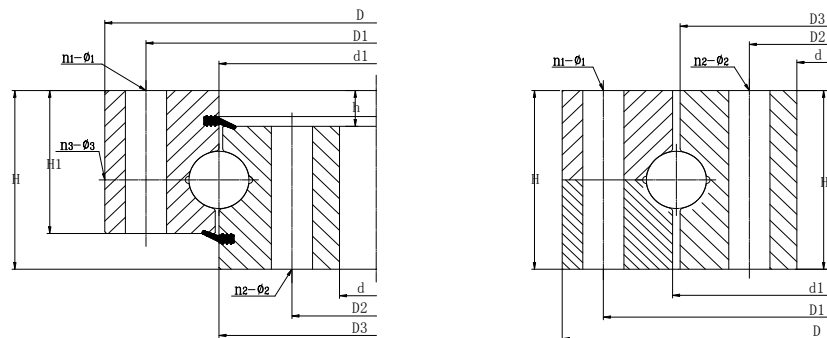
1. Wire race ball bearing
2. Wire race roller bearing

Applications



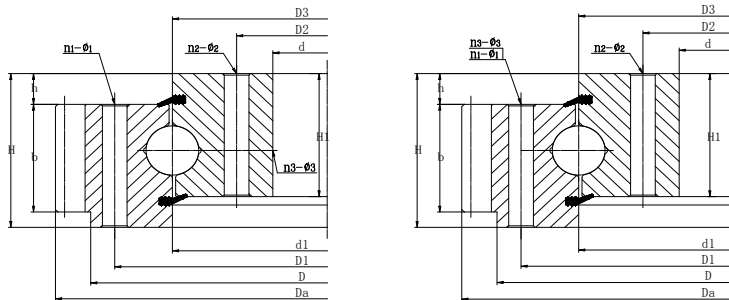
UWE slewing bearings are widely applied to wind turbines, yaw, pitch system, container crane, tower crane, port crane, grab crane, ship crane, metal crane, ladle turret, excavator, dredge, shield machine, grams make, metallurgical cranes, ladle turret, excavators, dredgers, shield machine, loading and unloading ships, stacker-reclaimer, filling machines, CT machine, standing wave treatment instrument, tank and other military equipments. Characterized by its high precision, long service life and high reliability, UWE bearing not only meet the domestic market demand, but also exported to overseas markets such as Europe and the United States.

Four point contact ball slewing bearing (without teeth)



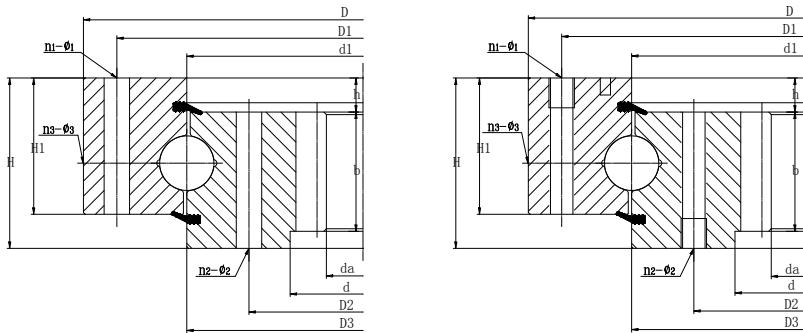
Bearing No.	Dimensions			Rating load 10 ⁴ N	Weight Kg
	D	d	H		
116752	480	260	60	75.4	55
116752K	480	260	60	75.4	58.6
176792	590	460	45	62.6	35.9
176792K	590	460	45	62.6	36
176792K2M	590	460	45	94.4	30.8
1167/530	780	530	60	112	103
1167/560	720	560	36	70.8	40.3
1167/560K	720	560	36	70.8	39.2
1167/560M	720	560	36	70.8	38.1
1168/560	780	560	60	224	103
11768/630	780	630	69	111	79.4
1167/700	900	700	36	179	60
E787/760G2	950	760	80	203	138
787/800G	1050	800	90	215	192
71769/850Y	1120	850	85	151	248
71769/850G2K	1120	850	85	210	257
787/932G2	1200	932	120	349	328
787/960G2	1165	960	90	249	202
787/1000G2	1250	1000	100	540	283
787/1260G2	1509	1260	90	378	274
71169/1400Y	1820	1400	136	611	1114
71169/1400Y1	1820	1400	136	1070	1120
787/1440G2	1780	1440	100	503	533
787/1628G2	1927	1628	130	692	732
787/1700KM	2000	1700	150	684	826

Four point contact ball slewing bearing (external teeth)



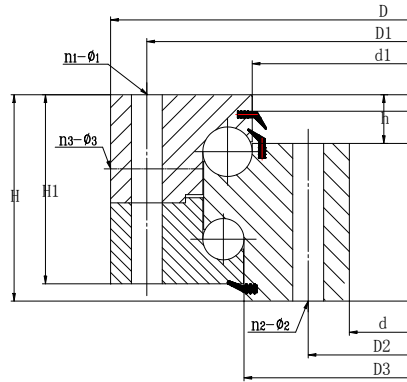
Bearing No.	Dimensions			Rating load 10 ⁴ N	Weight Kg
	D	d	H		
D178794	694	470	77	157	93.1
1787/600G	786	600	72	107	94.1
1787/674G2	853	674	70	183	89
1787/674G2K	853	674	70	183	88.6
1787/710G2	894	710	67	179	107
1787/710G2K	894	710	67	179	107
1787/710G2K1	894	710	67	179	107
1787/800G	1050	800	90	215	217
1787/800GK	1050	800	90	215	217
1788/1040G2	-	1040	80	297	251
1787/1060G	1335	1060	109	501	407
1787/1075	1365	1075	120	463	463
1787/1075K	1365	1075	130	463	550
1787/1075G2	1365	1075	120	463	463
1787/1075G2K	1365	1075	120	463	463
1787/1330G2	1475	1330	82.4	353	280
1788/1410G2	-	1410	85	395	312
1787/1640G	2050	1640	160	1118	1264
1787/1700	1945	1700	120	405	516
1789/1700GM	2052	1700	100	551	678
1787/2650G2	2885	2650	100	913	751

Four point contact ball slewing bearing (internal teeth)



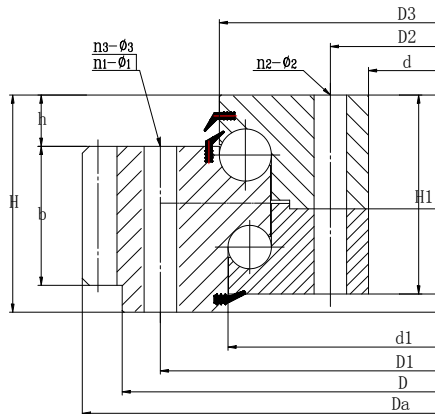
Bearing No.	Dimensions			Rating load Coa 10 ⁴ N	Weight Kg
	D	d	H		
2782/1000GK	1270	1000	100	384	322
2787/1210G2	1530	1210	122	713	540
2787/1400GK	1715	1400	110	365	545
2787/1400GK1	1715	1400	110	365	545
2787/1440	1780	1440	100	503	554
2787/1440G	1780	1440	100	578	554
2768/1440G	1780	1440	104	578	555
2787/1525G2	1875	1525	140	873	1019
2788/1712	2050	1790	112	604	663
2789/2230	2488	2230	160	1247	1114
2789/2240G2	2500	2240	140	856	1161
2789/2735	2990	2735	160	1559	1457

Double row different ball diameter slewing bearing(without teeth)



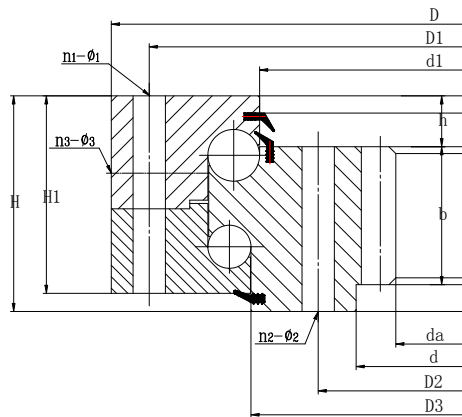
Bearing No.	Dimensions			Rating load Coa 10 ⁴ N	Weight Kg
	D	d	H		
5787/1916G2	2320	1916	150	1096	1251

Double row different ball diameter slewing bearing(external teeth)



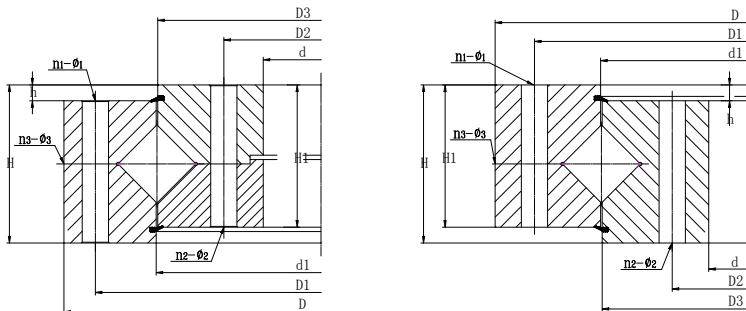
Bearing No.	Dimensions			Rating load Coa 10 ⁴ N	Weight Kg
	D	d	H		
6787/820G	1150	820	125	297	508
6787/1600G	2000	1600	175	705	1531
6788/1600G	2000	1600	175	705	1576
6789/3405G	3638	3405	185	1860	2632

Double row different ball diameter slewing bearing(internal teeth)



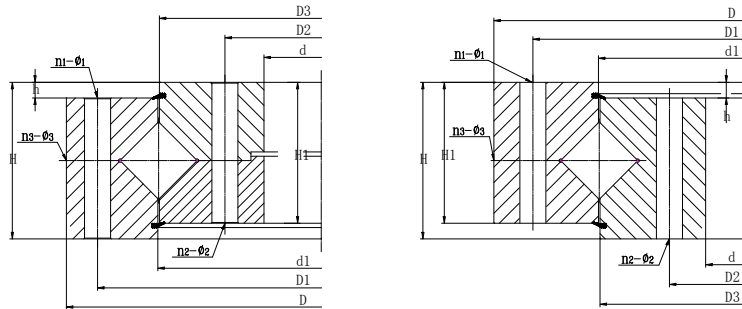
Bearing No.	Dimensions			Rating load Coa 10 ⁴ N	Weight Kg
	D	d	H		
7787/1310G	1600	1310	135	433	691
7787/2728K	3100	2728	210	814	2537

Cross roller slewing bearing (without teeth)



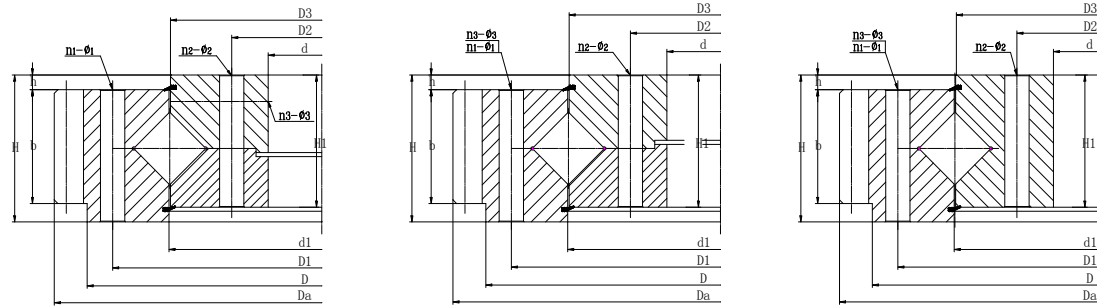
Bearing No.	Dimensions			Rating load Coa 10 ⁴ N	Weight Kg
	D	d	H		
79764	550	320	85	88.2	85.6
797/600G	900	600	125	280	246
797/670	907	670	85	165	170
797/700G	1000	700	140	254	370
797/845G2	1150	845	130	401	393

Cross roller slewing bearing (without teeth)



Bearing No.	Dimensions			Rating load 10 ⁴ N	Weight Kg
	D	d	H		
797/870G	1180	870	115	292	355
797/870K	1180	870	115	232	355
797/870G2K1	1180	870	115	320	356
797/962G2	1200	962	90	254	224
792/1000G2	1270	1000	100	333	303
792/1000G2K	1270	1000	100	333	303
792/1000G2K1	1270	1000	100	333	303
792/1000G2K2	1270	1000	100	333	303
797/1060G2	1400	1060	120	429	596
797/1200G2	1520	1200	90	409	504
792/1250G2	1700	1250	155	602	1103
797/1250G2	1608	1250	148	595	743
797/1250G2K	1608	1250	148	595	717
797/1278G2K	1660	1278	120	427	589
797/1320G2	1715	1320	134	607	958
797/1370G	1840	1370	160	997	1213
797/1380G2	1700	1380	145	461	746
797/1600G	2140	1600	145	896	1357
797/1776G2	2210	1776	150	1113	1244
797/1860G2	2320	1860	151	890	1772
797/1916G2	2320	1916	150	1195	1214
797/2190G	2860	2190	300	3035	4797
797/2500G2	2980	2500	180	1760	2913
792/2800G	3310	2800	190	2117	2864

Cross roller slewing bearing (external teeth)



Bearing No.	Dimensions			Rating load Coa 10 ⁴ N	Weight Kg
	D	d	H		
1792/885	1056	885	83	176	172
E1792/885	1056	885	83	176	172
E1792/885K	1056	885	83	176	172
1797/885G	1150	885	115	292	330
1797/1100G	1415	1100	115	270	497
1798/1100G2	1400	1100	140	430	642
1798/1100G2K	1400	1100	145	430	644
1797/1250G2	1548	1250	148	539	661
1797/1278G2	1595	1278	120	485	597
1797/1300G2	1705	1300	165	578	1023



Dalian United Wind Power Generation Bearing Co., Ltd.

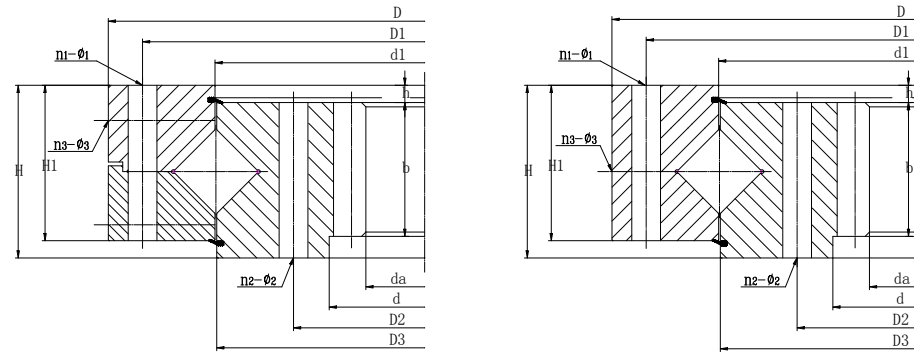
1792/1400G	1715	1400	110	597	579
1792/1400G2	1715	1400	110	597	579
1792/1400G2K	1715	1400	110	597	579
1797/1460G2	1800	1460	125	627	828
1797/1460G2K	-	1460	125	627	845
1797/1916G2	-	1916	150	1150	1597
1797/2100G2	2600	2100	180	1100	2395
1797/2100G2K	2600	2100	180	1100	2392
1797/2460G2	-	2460	220	1386	4091
1797/2460G2U	-	2460	220	1386	4091
1797/2460G2K	3108	2460	220	1386	4091
1797/2460G2K1	3108	2460	220	1386	4091
1797/2500G2	-	2500	210	1996	4597
1797/2500K	2920	2500	260	1996	5407
1797/2500G2K1	2920	2500	260	1996	5407
1797/2600G	-	2600	200	2030	3936
1797/2600G2	-	2600	200	2030	3936
1797/2600G2K	-	2600	200	2030	3936
1797/2600G2K1	-	2600	200	2320	3558



Dalian United Wind Power Generation Bearing Co., Ltd.

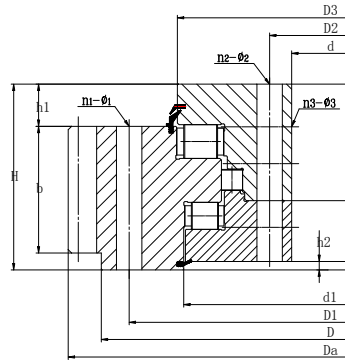
1797/2635G	3332	2635	270	2950	5973
1797/2635G2	3332	2635	270	2950	5973
1797/3230G	3970	3230	240	3520	7612
1797/3230GY	3970	3230	240	3520	7612
1797/3230G2	3970	3230	240	3520	7613
1797/3230G2K	3970	3230	240	3520	7613
1797/3230G2K2	3970	3230	240	3520	7804
1797/3230G2K3	3940	3230	240	3593	7302
1797/3230G2Y	3970	3230	240	3593	7613
1797/3230G2Y2	3970	3230	240	3593	7613
1797/3230G2Y3	-	3230	240	3520	7686
1797/3230GK4	3970	3230	240	3520	7613
1797/3230GK5	3970	3230	240	3520	7613
1797/3230G2Y3K	-	3230	240	3520	7686
1797/3760G	4220	3760	240	3210	4396
1797/4250G	4940	4250	250	4520	8954

Cross roller slewing bearing (internal teeth)



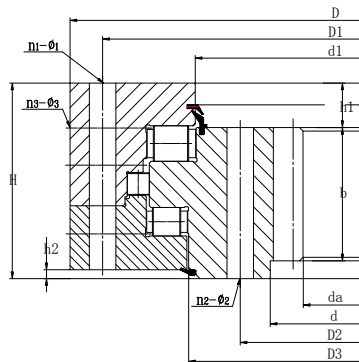
Bearing No.	Dimensions			Rating load Coa 10 ⁴ N	Weight Kg
	D	d	H		
2797/695G2	920	695	90	161	175
2797/760G2	1000	760	95	237	206
2797/870G2	1180	870	115	292	374
2797/875G2	1170	875	95	276	297
2797/955G	1200	955	90	254	245
2797/955G2	1200	955	90	254	245
2797/1010G2	1200	1010	90	254	199
2797/1010GK	1200	1010	90	254	199
2797/1278G2	1595	1278	120	398	585
2792/1400G2K	1715	1400	110	597	587
2792/2000G2	2420	2000	160	1084	1607
2792/2240G	2670	2240	160	1441	1798
2797/2680G	3325	2680	300	3587	6320
2797/2680GY	3325	2680	300	3587	6320
2797/2680GK	3325	2680	300	3035	6641

Three row roller slewing bearing (external teeth)



Bearing No.	Dimensions			Rating load		Weight Kg
	D	d	H	Coa	Cor	
6397/1605G2K	1984	1605	250	1525	208	1800
6397/2590	3006	2590	200	2192	316	2780
6397/2590K	3006	2590	314	2700	316	4209
6397/2800G	3260	2800	220	2700	330	3288
6397/2800GK	3255	2800	240	2700	330	3419
6397/2800GK1	3255	2800	240	2700	330	3429
6397/2800GK2	3255	2800	240	2700	330	3424
6392/2910G	3400	2910	220	2670	458	3736
6397/3340	3888	3340	212	3900	410	3684

Three row roller slewing bearing (internal teeth)



Bearing No.	Dimensions			Rating load		Weight Kg
	D	d	H	Coa	Cor	
7397/2210K	2650	2216	220	2050	302	2418
7397/2700G2	3150	2700	255	2920	423	3536
7397/2700G2K	3150	2700	255	2920	423	3542
7397/2700GK1	3150	2700	255	2920	423	3393
7397/2700G2K2	3150	2700	255	2920	423	3542
7397/2700G2K3	3150	2700	255	2920	423	3699